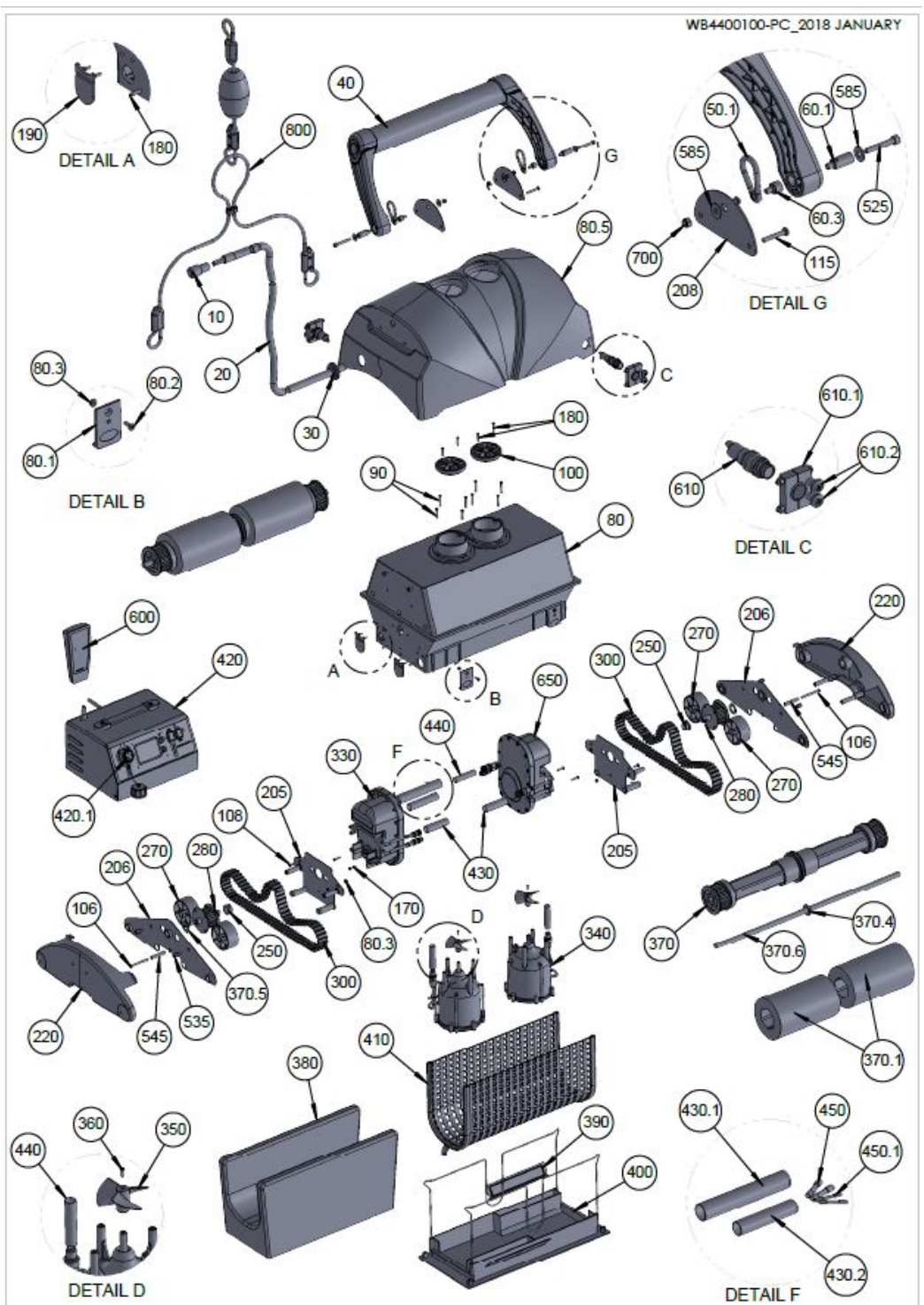


# Part List

RECL-UMJ0-UMJ00

UMXJR

Revision: 2019



| Robot No        | Robot Name | Year | Item No | Part No | Description              | Qty |
|-----------------|------------|------|---------|---------|--------------------------|-----|
| RECL-UMJ0-UMJ00 | UMXJR      | 2019 | 50.1    | 11006   | SNAP HOOK S\S            | 2   |
| RECL-UMJ0-UMJ00 | UMXJR      | 2019 | 115     | 1108    | SCREW FOR LOWER BRACKET  | 4   |
| RECL-UMJ0-UMJ00 | UMXJR      | 2019 | 610.2   | 2008    | SCREW 4.2X13 DIN-7981    | 4   |
| RECL-UMJ0-UMJ00 | UMXJR      | 2019 | 610.1   | 2009    | IR HOLDER WITH SCREWS    | 2   |
| RECL-UMJ0-UMJ00 | UMXJR      | 2019 | 100     | 2240BL2 | NET OF OUTLET TOP-3 PART | 2   |
| RECL-UMJ0-UMJ00 | UMXJR      | 2019 | 80.2    | 2303    | SCREW M4X10 S\S          | 4   |
| RECL-UMJ0-UMJ00 | UMXJR      | 2019 | 190     | 2305N   | RUBBER VALVE             | 4   |
| RECL-UMJ0-UMJ00 | UMXJR      | 2019 | 370.4   | 2607    | DELFIN WASHER            | 2   |
| RECL-UMJ0-UMJ00 | UMXJR      | 2019 | 250     | 2613    | MOLYBDENUM BUSHING       | 2   |
| RECL-UMJ0-UMJ00 | UMXJR      | 2019 | 170     | 2700    | SCREW #8X11\16 PHIL.     | 4   |
| RECL-UMJ0-UMJ00 | UMXJR      | 2019 | 180     | 2701    | SCREW #8X11\16 PHIL PN   | 8   |
| RECL-UMJ0-UMJ00 | UMXJR      | 2019 | 106     | 2711A   | SCREW M4X60FHILL FLAD HD | 2   |
| RECL-UMJ0-UMJ00 | UMXJR      | 2019 | 108     | 2712    | SCREW M4X10 PAN HEAD S\S | 4   |
| RECL-UMJ0-UMJ00 | UMXJR      | 2019 | 370.1   | 3008AG  | PVA BRUSH                | 4   |
| RECL-UMJ0-UMJ00 | UMXJR      | 2019 | 370.5   | 3603    | FLAT DELFIN WASHER       | 2   |
| RECL-UMJ0-UMJ00 | UMXJR      | 2019 | 370.6   | 3813    | AXLE 0.499" X 526MM      | 2   |
| RECL-UMJ0-UMJ00 | UMXJR      | 2019 | 220     | 5200BL  | SIDE PLATE               | 2   |
| RECL-UMJ0-UMJ00 | UMXJR      | 2019 | 450     | 5473    | BUTT CONNECTOR           | 2   |
| RECL-UMJ0-UMJ00 | UMXJR      | 2019 | 450.1   | 5474    | BUTT CONNECTOR           | 2   |
| RECL-UMJ0-UMJ00 | UMXJR      | 2019 | 80.3    | 7133    | HEX. NUT LOCK M4 S\S     | 6   |

| Robot No        | Robot Name | Year | Item No | Part No     | Description                    | Qty |
|-----------------|------------|------|---------|-------------|--------------------------------|-----|
| RECL-UMJ0-UMJ00 | UMXJR      | 2019 | 380     | 8101        | FILTER BAG                     | 1   |
| RECL-UMJ0-UMJ00 | UMXJR      | 2019 | 80.1    | 9204NT      | LOCK TAB                       | 4   |
| RECL-UMJ0-UMJ00 | UMXJR      | 2019 | 370     | A38209CG    | WHEEL TUBE ASSY                | 4   |
| RECL-UMJ0-UMJ00 | UMXJR      | 2019 | 800     | A8329       | ROPE ASSY                      | 1   |
| RECL-UMJ0-UMJ00 | UMXJR      | 2019 | 40      | AS01622BL   | HANDLE ASSY.                   | 1   |
| RECL-UMJ0-UMJ00 | UMXJR      | 2019 | 340     | AS06106-SP  | PUMP MOTOR                     | 2   |
| RECL-UMJ0-UMJ00 | UMXJR      | 2019 | 420     | AS07127-SP  | POWER SUPPLY                   | 1   |
| RECL-UMJ0-UMJ00 | UMXJR      | 2019 | 650     | AS08677D-SP | MOTOR SL/V13                   | 1   |
| RECL-UMJ0-UMJ00 | UMXJR      | 2019 | 330     | AS08700D-SP | MOTOR<br>MS/FL/PVAC/RC/V4<br>2 | 1   |
| RECL-UMJ0-UMJ00 | UMXJR      | 2019 | 410     | AS09228     | FILTER SCREEN<br>ASSY          | 1   |
| RECL-UMJ0-UMJ00 | UMXJR      | 2019 | 80      | AS1009200   | BODY ASSY                      | 1   |
| RECL-UMJ0-UMJ00 | UMXJR      | 2019 | 440     | AS110012706 | SHRINK EP00127<br>CUT TO 60mm  | 3   |
| RECL-UMJ0-UMJ00 | UMXJR      | 2019 | 430     | AS110162506 | SHRINK 1625 CUT<br>TO 60mm     | 2   |
| RECL-UMJ0-UMJ00 | UMXJR      | 2019 | 430.2   | AS110162508 | SHRINK 1625 CUT<br>TO 80mm     | 1   |
| RECL-UMJ0-UMJ00 | UMXJR      | 2019 | 430.1   | AS110162512 | SHRINK 1625 CUT<br>TO 120mm    | 1   |
| RECL-UMJ0-UMJ00 | UMXJR      | 2019 | 206     | AS2000300   | S/A COVER                      | 2   |
| RECL-UMJ0-UMJ00 | UMXJR      | 2019 | 205     | AS2000400   | S/A MAIN SIDE<br>PLATE         | 2   |
| RECL-UMJ0-UMJ00 | UMXJR      | 2019 | 280     | AS2000520   | PULLEY ASSY                    | 2   |
| RECL-UMJ0-UMJ00 | UMXJR      | 2019 | 400     | BS6500200   | S/A BOTTOM LID<br>ASSY         | 1   |
| RECL-UMJ0-UMJ00 | UMXJR      | 2019 | 610     | EP00012     | INFRA RED<br>SENSOR            | 2   |
| RECL-UMJ0-UMJ00 | UMXJR      | 2019 | 60.1    | MP00216A    | AXLE FOR HANDLE                | 2   |
| RECL-UMJ0-UMJ00 | UMXJR      | 2019 | 60.3    | MP00217A    | AXLE FOR HANDLE                | 2   |
| RECL-UMJ0-UMJ00 | UMXJR      | 2019 | 208     | MP00223     | BRACKET FOR<br>COVER           | 2   |

| Robot No        | Robot Name | Year | Item No | Part No    | Description              | Qty |
|-----------------|------------|------|---------|------------|--------------------------|-----|
| RECL-UMJ0-UMJ00 | UMXJR      | 2019 | 700     | N00021     | HEX. LOCK NUT M6 S\S     | 2   |
| RECL-UMJ0-UMJ00 | UMXJR      | 2019 | 350     | P00038     | PROPELLER                | 2   |
| RECL-UMJ0-UMJ00 | UMXJR      | 2019 | 80.5    | P00483SVA  | COVER                    | 1   |
| RECL-UMJ0-UMJ00 | UMXJR      | 2019 | 420.1   | PL00016FL  | SOCKET 5 PIN FEMALE      | 1   |
| RECL-UMJ0-UMJ00 | UMXJR      | 2019 | 10      | PL00016ML  | 5 PIN PLUG               | 1   |
| RECL-UMJ0-UMJ00 | UMXJR      | 2019 | 30      | PP0001623  | SEALING GROMMET          | 1   |
| RECL-UMJ0-UMJ00 | UMXJR      | 2019 | 390     | PP0017700  | BOTTOM LID VALVE MAGNUM  | 2   |
| RECL-UMJ0-UMJ00 | UMXJR      | 2019 | 270     | PP0043300  | TENSION WHEEL PRO 64     | 4   |
| RECL-UMJ0-UMJ00 | UMXJR      | 2019 | 300     | RB00098GY  | DRIVE BELT GREY          | 2   |
| RECL-UMJ0-UMJ00 | UMXJR      | 2019 | 600     | RC0100400  | RC COMM IDP INTEG RAD    | 1   |
| RECL-UMJ0-UMJ00 | UMXJR      | 2019 | 360     | SW00069    | SCREW M3X10 PHIL DIN-965 | 2   |
| RECL-UMJ0-UMJ00 | UMXJR      | 2019 | 90      | SW00075    | SCREW #8X1"" HI-LOW      | 8   |
| RECL-UMJ0-UMJ00 | UMXJR      | 2019 | 525     | SW00101    | BOLT M6X40 DIN 912 A2    | 2   |
| RECL-UMJ0-UMJ00 | UMXJR      | 2019 | 535     | SW00109    | HEXAGONAL SCREW HEX S\S  | 4   |
| RECL-UMJ0-UMJ00 | UMXJR      | 2019 | 545     | SW00110    | DELARIN SPACER           | 2   |
| RECL-UMJ0-UMJ00 | UMXJR      | 2019 | 20      | WA00060CGL | F.CABLE CG/36M/4C/EZ-SW  | 1   |
| RECL-UMJ0-UMJ00 | UMXJR      | 2019 | 585     | WS00001    | PLAIN WASHER M6 DIN 9021 | 4   |

Date: 04/03/2020

For more details see Aquatron Service Website: [www.aquatron.co.il](http://www.aquatron.co.il)